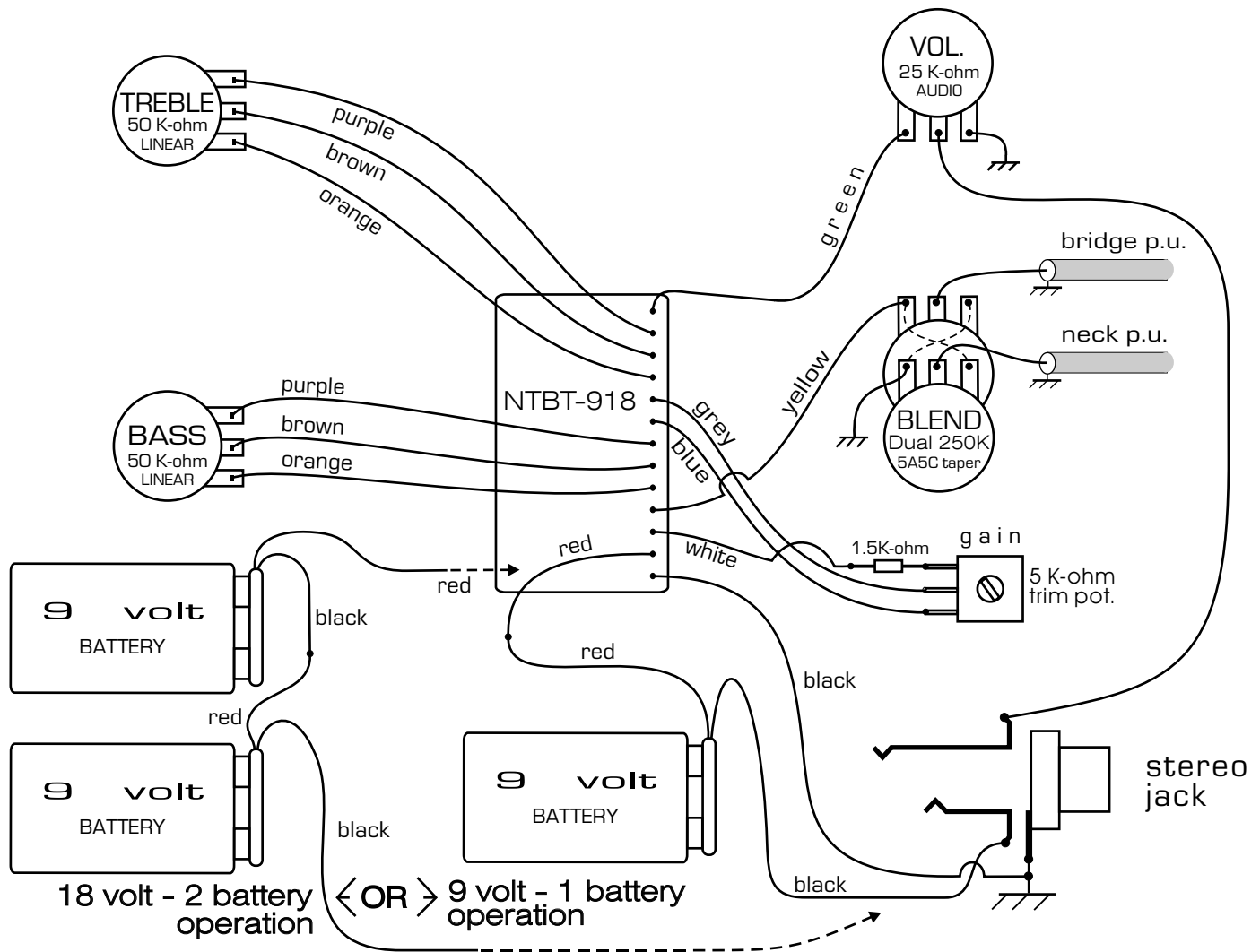


2 Band (Bass and Treble 9 volt or 18 volt Preamp/Tone control



The NTBT-918 is a tone control preamp with fully independent Bass and Treble controls with very low noise and wide boost/cut range. It is 2/3 the size of a 9v battery.

The sound is very clear and transparent. Distortion is well below 0.001%. This preamp can be used with either 1 - 9 volt battery ( 9 volt operation or 2 - 9 volt batteries (18 volt operation which yields 6 dB extra headroom.

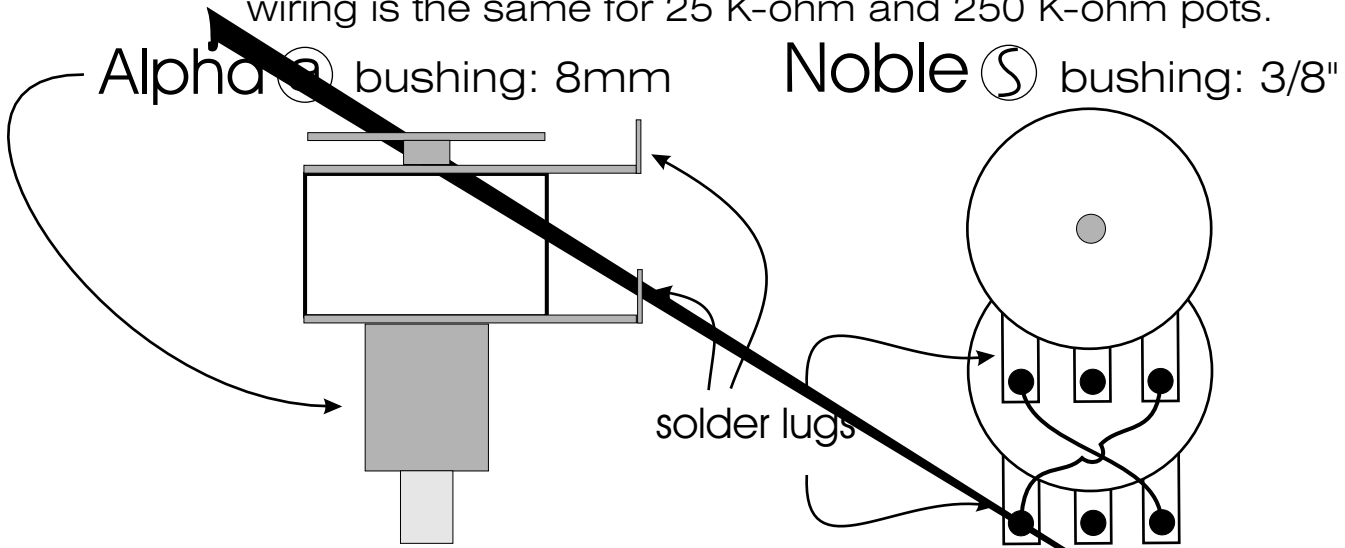
In 9 volt operation the NTBT-918 uses approximately 750 microamperes of current from 1 - 9 volt battery. This means 1 month of continuous duty or more than 6 months of average usage.

In 18 volt operation the NTBT-918 uses approximately 1000 microamperes of current from 2 - 9 volt batteries. This means more than 3 weeks of continuous duty or more than 4 months of average usage.

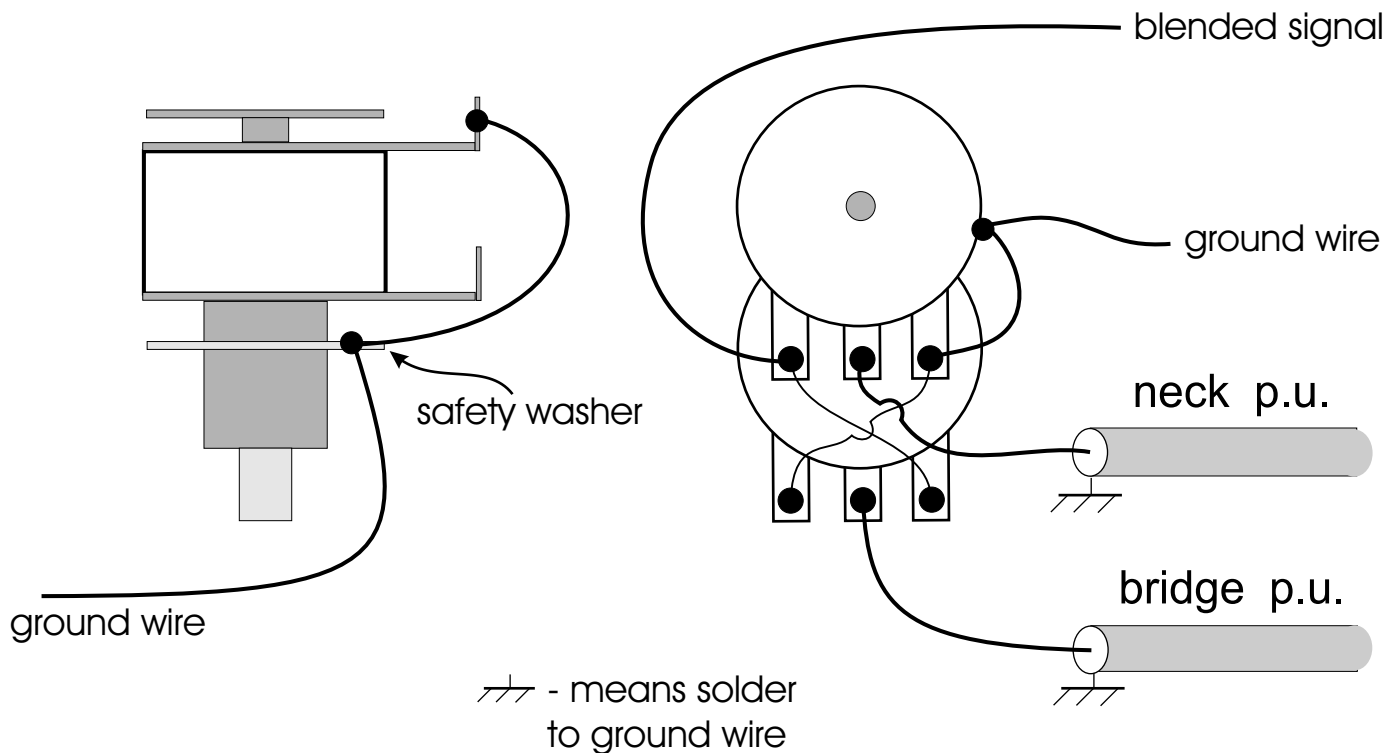
**DO NOT USE MORE THAN 18 volt SUPPLY VOLTAGE OR EXTERNAL POWER SUPPLIES!**

**NEW Alpha (a) OR Noble (S) BLEND POTENTIOMETER WIRING**

both of these new potentiometers have "silver" colored solderable plating  
 both brands have C-A tapers (C=left hand audio - A=right hand audio  
 wiring is the same for 25 K-ohm and 250 K-ohm pots.



Blend pot wiring viewed from the inside of the control cavity (pot. shaft down)



**DO NOT OVERHEAT WHEN SOLDERING GROUND WIRES OR ANYTHING ELSE TO THE SIDE OF THESE BLEND POTS**